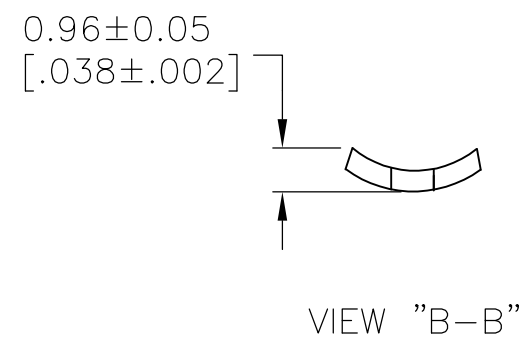
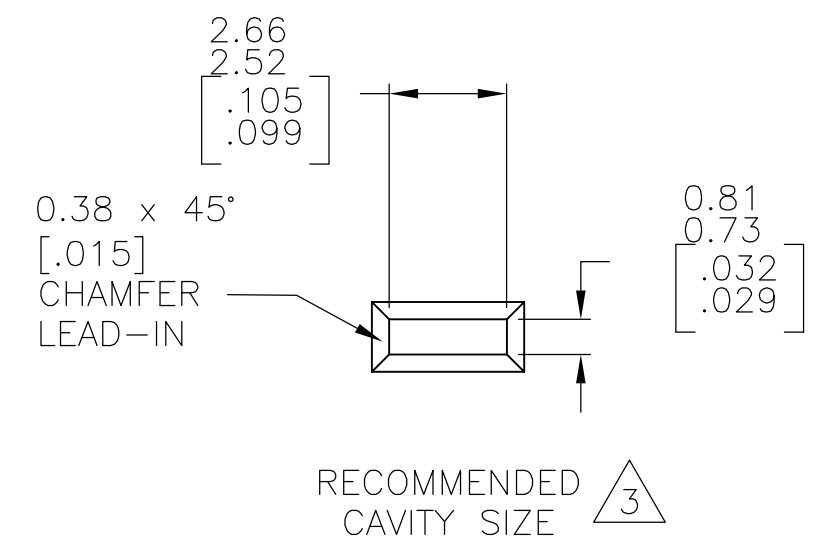
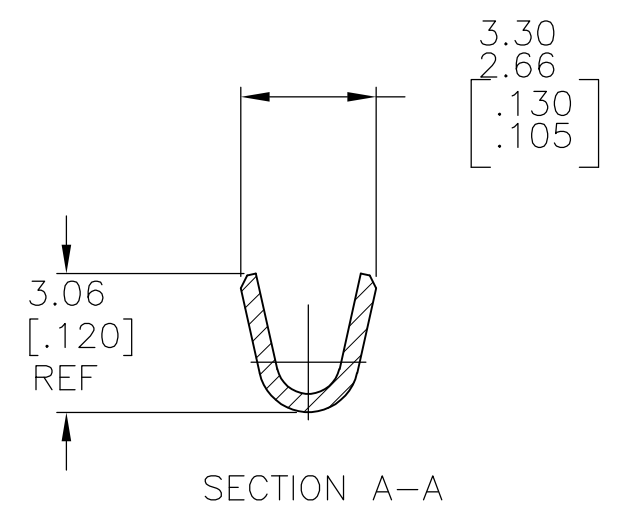
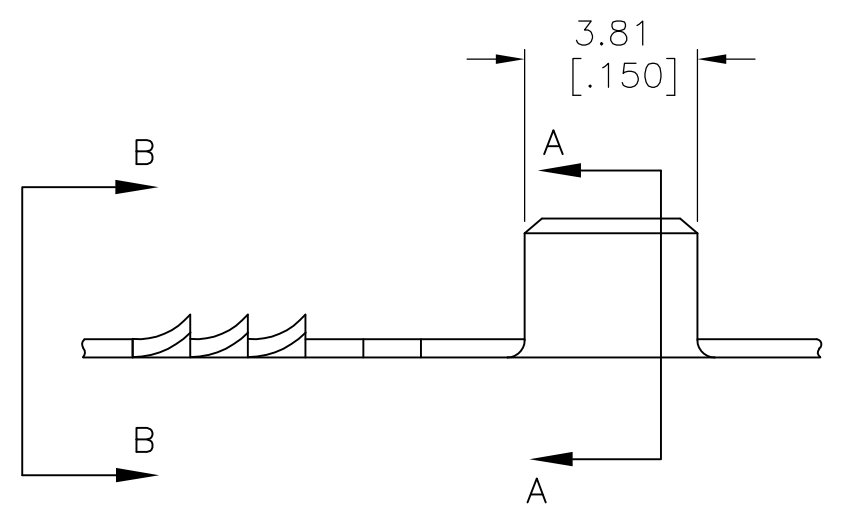
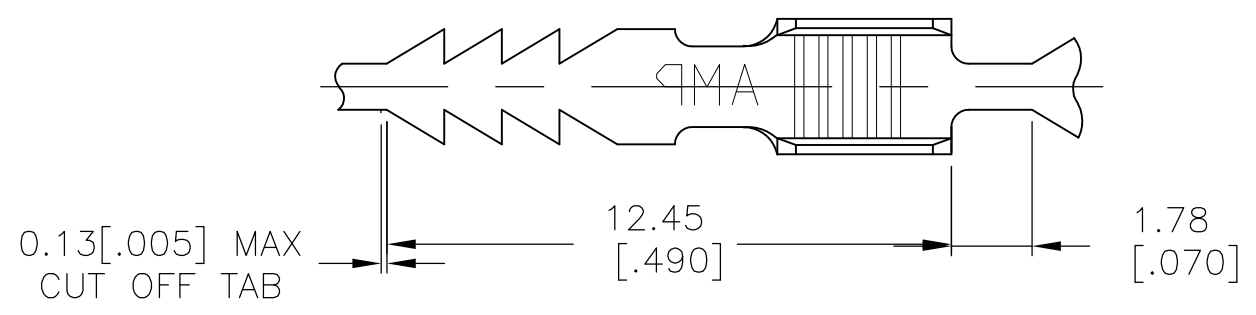


THIS DRAWING IS UNPUBLISHED. RELEASED FOR PUBLICATION
 © COPYRIGHT - By - ALL RIGHTS RESERVED.

LOC	DIST	REVISIONS			
P	LTR	DESCRIPTION	DATE	DWN	APVD
AF	50				
	J2	REVISED PER ECR-15-007944	15JUL2015	GRZ	JL

- 1 PRODUCT PROVIDED IN STRIP FORM ON REELS; BREAKS MAY BE PRESENT.
- 2 1 # 18 AWG STANDARD WITH 1# 32-22 AWG MAGNET WIRE
- △3 CAVITY DEPTH: 5.08[.200]



	LARGE REEL SPLICE FREE	62192-3
OBSOLETE	REVERSE	62192-2
	STANDARD	62192-1
	REELING	PART NUMBER

THIS DRAWING IS A CONTROLLED DOCUMENT.		DWN RAGHAVENDRA 22JAN2008	STE TE Connectivity	
DIMENSIONS: mm [INCHES]		CHK G PORTA 22JAN2008		
TOLERANCES UNLESS OTHERWISE SPECIFIED:		APVD G PORTA 22JAN2008	NAME	
0 PLC ± -		PRODUCT SPEC	AMPLIVAR BOBBIN TAB	
1 PLC ± -			SIZE CAGE CODE DRAWING NO RESTRICTED TO	
2 PLC ± 0.38 [.015]		APPLICATION SPEC	A3 00779 C-62192	
3 PLC ± -			SCALE 6:1 SHEET 1 OF 1 REV J2	
4 PLC ± -		WEIGHT -		
ANGLES ± 1° 0'				
MATERIAL .016 BRASS	FINISH TIN	CUSTOMER DRAWING		